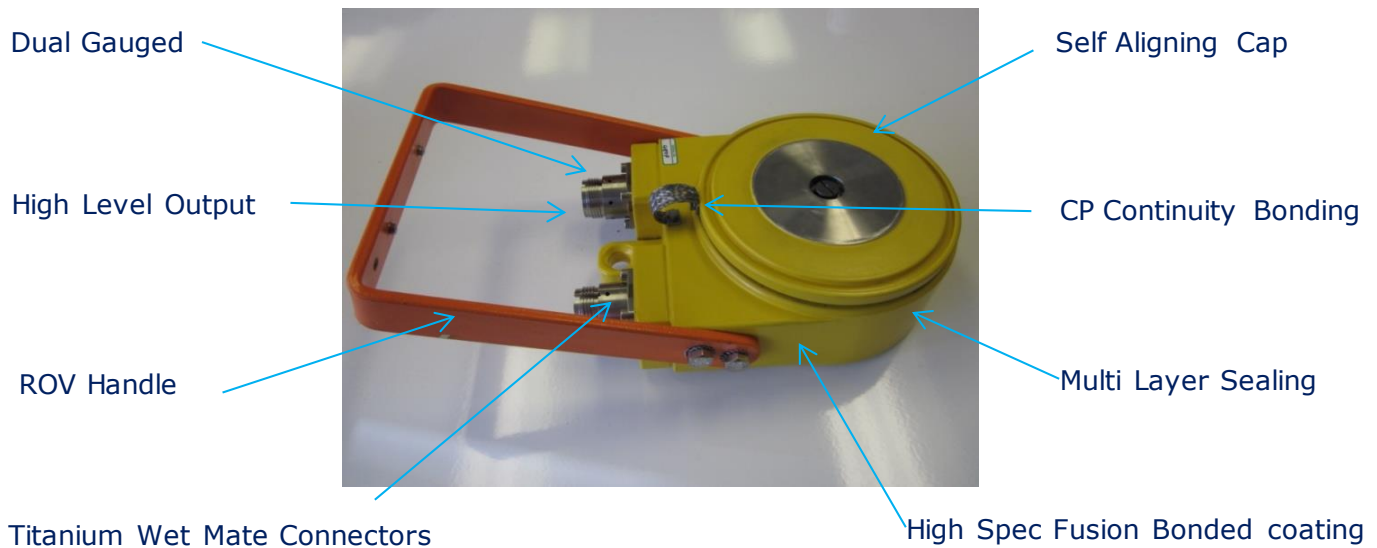


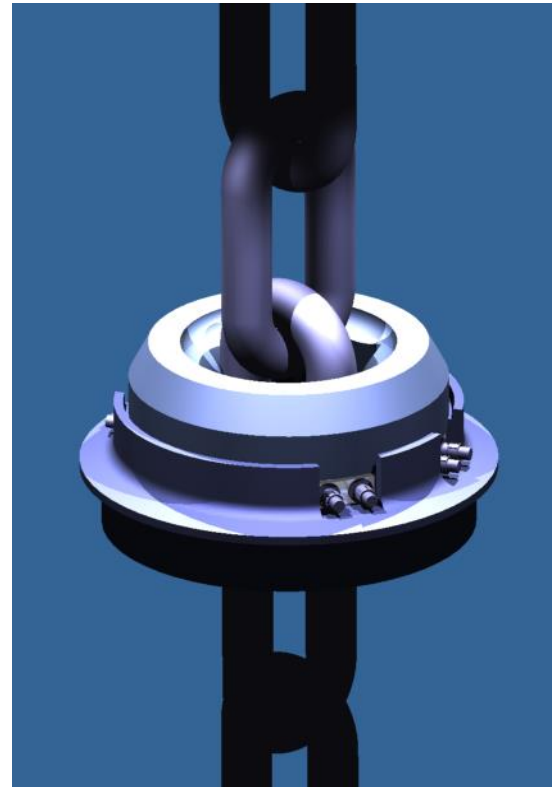
## FPSO – Chain Stopper Monitoring

IMES has extensive history of supplying integrated measurement and monitoring systems. Supplying mooring, anchor and winch measurement systems to complex and production platforms, Tension Leg Platforms (TLP), drill vessels Jackups and Floating Production Storage and Offloading (FPSO).

IMES capabilities allow the design, manufacture and testing of equipment to rigorous environmental conditions utilising our in house test chambers, leak detection and Hydrostatic tanks.



Titanium Wet Mate Connectors

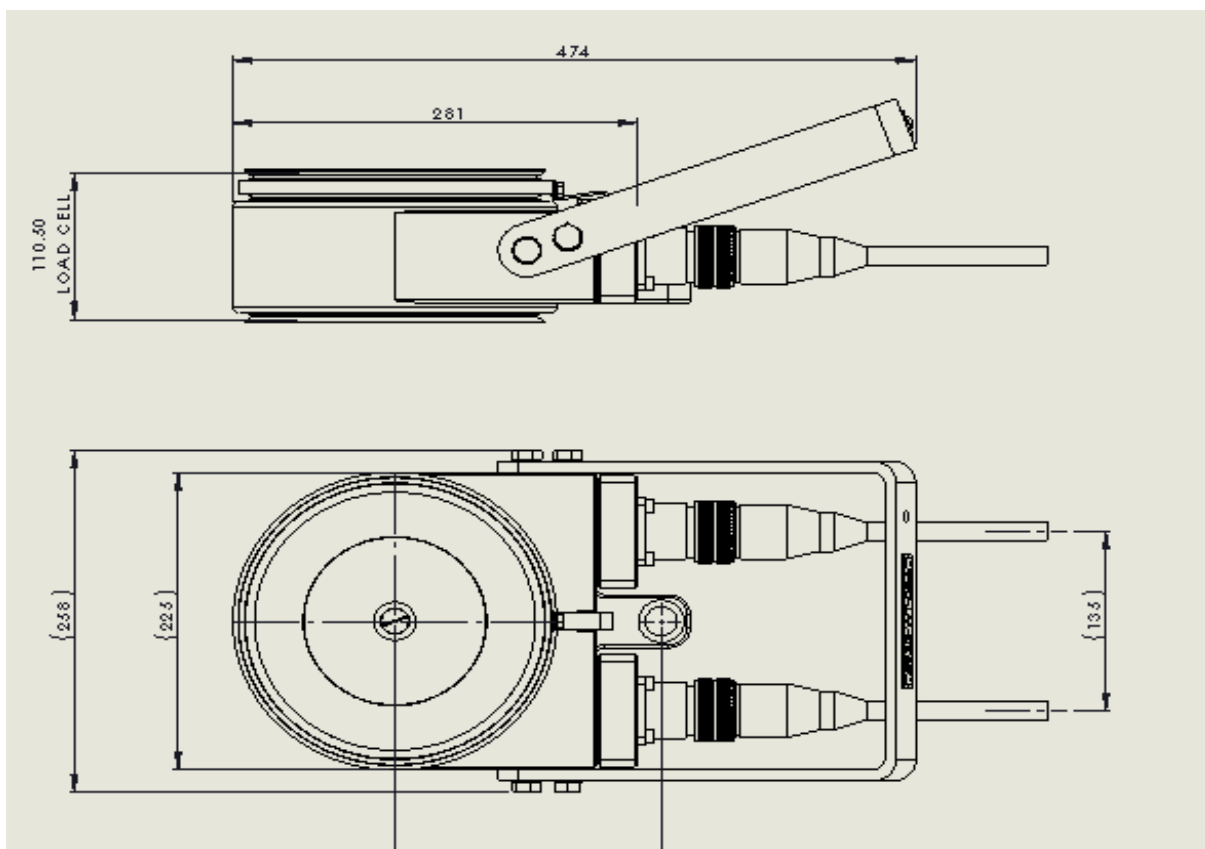


### Key Benefits

- Proven technology with Imes longest duration mooring install to date running at 24 years and counting
- IMES mooring loadcells, total 72, are installed on four Atlantia Offshore designed and built SeaStar TLPs. Over the  $5 \times 10^6$  total in-service hours the failure rate remains Zero.
- Dual redundant independent measurement and communication channels
- Multiple point flexible sealing provides excellent long term sealing capability compared with similar welded Load cells

# FPSO – Chain Stopper Monitoring

Operational Load:	800Kn
Maximum Operating Load	4300Kn
Design Survival Load	8750Kn
Minimum Operating Load	300Kn
Proof load of maximum working load	150%
Compensated temperature range	-20 +50 °C
Temperature effect on zero	0.01% / °C
Design pressure rating	12 bar
Accuracy:	plus/minus 3 % of applied load between 300Kn and 4300Kn
Build up Height	110mm +1.0/-0.0
Overall size	258mm x 474mm
Load cell design life	20 year
Power supply	24 DC
Load cell Output Nominal	Dual Redundant 4-20mA
Max power consumption	43mA
Weight	35 kg Approximate



Typical Specification – for reference only

**For more information or to discuss your requirements please contact:**

IMES Ltd

Prince of Wales Road

Sheffield

S9 4DZ

Tel +44 (0) 1142841840 or email [info@imes-group.com](mailto:info@imes-group.com)

