

## DLP Low Profile Load Cell



IMES DLP load cell is an ultra rugged tension and compression cell suitable for a range of applications from standard industrial to offshore applications. IMES cells are extensively used for testing applications such as material and fatigue testing.

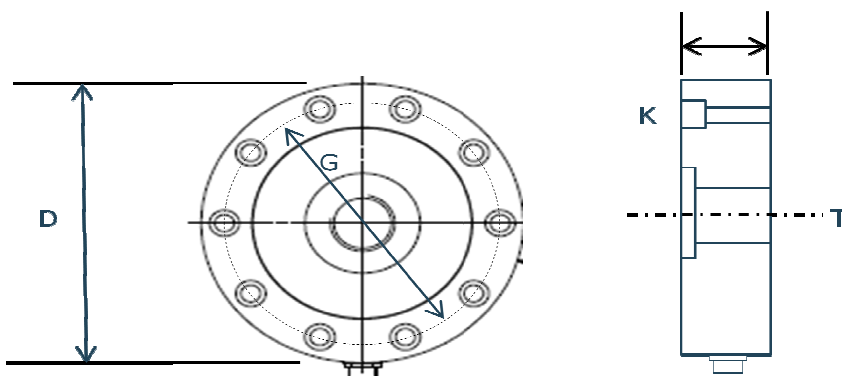
- Range 5kN to 10MN ( 500kg -1000 tonne)
- Low profile design
- Low deflection ( typically 0.05 to 0.15mm)
- Fatigue rated to  $10^9$  cycles
- Excellent rejection of extraneous forces
- Stainless Steel, Anodized Aluminium and Tool Steel options
- Cabled and Connector versions available
- Precision 0.03% accuracy version available
- Bolt down outer Ring
- Hazardous Area Version
- Wireless communication option

## DLP Low Profile Load Cell

Full Load Output	2.0 ( $\pm 0.25\%$ )	mV/V
Zero Load Output	< $\pm 2.0$	%
Excitation (max)	10 (15)	V
Accuracy – standard	<0.1	%
Accuracy – precision	0.03	%
Repeatability	<0.03	%
Input Resistance	375	$\Omega$
Output Resistance	350	$\Omega$
Compensated Temp. Range	0 to +40	$^{\circ}\text{C}$
Operating Temp. Range	-20 to +90	$^{\circ}\text{C}$
Temp. Coefficient on Zero	<0.0050	% Capacity $^{\circ}\text{C}$
Temp. Coefficient on Span	<0.0050	% Capacity $^{\circ}\text{C}$
Safe Overload	150	%
Ultimate Overload	300	%
Insulation	>500 @ 100Vdc	M $\Omega$
Environmental Protection	IP65	

Range kN	D	H	G	K	T
5,10,25,50	107	33	90	8 off $\varnothing 8.5$	M20 X 2
100,200,350	155	45	130	12 off $\varnothing 11$	M36 X 2
500,1000,1500	280	78	230	16 off $\varnothing 17$	M64 X 6
1250,2500	310	90	260	16 off $\varnothing 20$	M64 X 6
3000,5000	Sized to project				
7500,10000	Sized to project				



**For more information or to discuss your requirements please contact:**

IMES Ltd  
 Prince of Wales Road  
 Sheffield  
 S9 4DZ  
 Tel +44(0) 1142841840  
 Email [info@imes-group.com](mailto:info@imes-group.com)